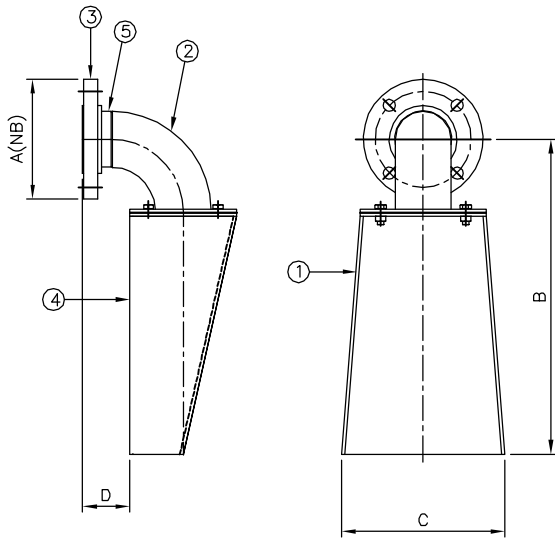


THIS DRAWING AND DESIGN IS A PROPERTY OF 'FIRETECH' AND MUST NOT BE COPIED OR LEND WITHOUT THEIR PERMISSION IN WRITING.



MATERIAL OF CONSTRUCTION

SR.NO.	DESCRIPTION	MATERIAL
1	BODY	STAINLESS STEEL(SS:316)
2	BEND	STAINLESS STEEL(SS:316)
3	MOUNTING FLANGE	STAINLESS STEEL(SS:316)
4	PROTECTION SCREEN	STAINLESS STEEL(SS:316)
5	PIPE	STAINLESS STEEL(SS:316)

TECHNICAL DETAILS

1	FLANGES DRILLING- ANSI.B.16.5,150#
2	FINISH:-PAINTED FIRE-RED TO SHADE RAL 3000

DIMENSIONAL DETAILS

MODEL	A(NB)	B	C	D
FPA-S	80	500±10	260±5	75±5
FPB-S	100	600±10	300±5	100±5
FPC-S	150	800±10	450±5	160±5

NOTES: - 1] ALL DIMENSIONS ARE IN MM, UNLESS OTHERWISE SPECIFIED.



FOAM POURER-STAINLESS STEEL(SS:316)

DRG.NO.

988-MKT-A4-FP-S6

R

1