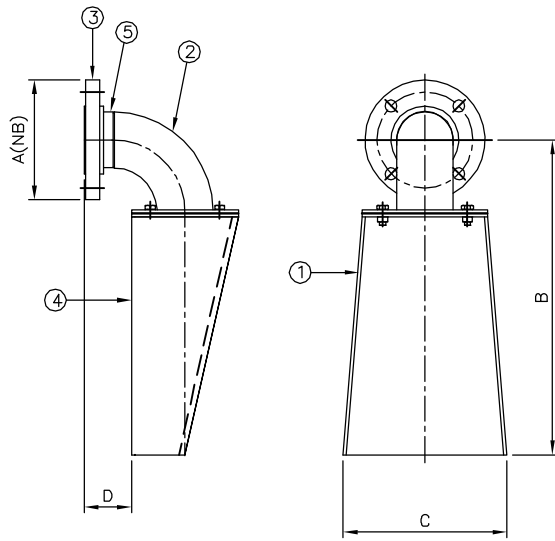


THIS DRAWING AND DESIGN IS A PROPERTY OF 'FIRETECH' AND MUST NOT BE COPIED OR LEND WITHOUT THEIR PERMISSION IN WRITING.



MATERIAL OF CONSTRUCTION

| SR.NO. | DESCRIPTION | MATERIAL |
|--------|-------------------|--------------|
| 1 | BODY | CARBON STEEL |
| 2 | BEND | CARBON STEEL |
| 3 | MOUNTING FLANGE | CARBON STEEL |
| 4 | PROTECTION SCREEN | CARBON STEEL |
| 5 | PIPE | CARBON STEEL |

TECHNICAL DETAILS

| | |
|---|--|
| 1 | FLANGES DRILLING- ANSI.B.16.5,150# |
| 2 | FINISH:-PAINTED FIRE-RED TO SHADE RAL 3000 |

DIMENSIONAL DETAILS

| MODEL | A(NB) | B | C | D |
|-------|-------|--------|-------|-------|
| FPA | 80 | 500±10 | 260±5 | 75±5 |
| FPB | 100 | 600±10 | 300±5 | 100±5 |
| FPC | 150 | 800±10 | 450±5 | 160±5 |

NOTES:- 1] ALL DIMENSIONS ARE IN MM,UNLESS OTHERWISE SPECIFIED.



FOAM POURER-CARBON STEEL

DRG.NO.

R

988-MKT-A1-FP-CS

1