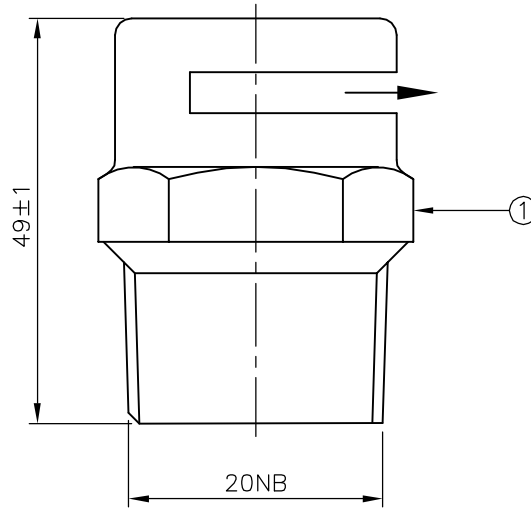


THIS DRAWING AND DESIGN IS A PROPERTY OF 'FIRETECH' AND MUST NOT BE COPIED OR LEND WITHOUT THEIR PERMISSION IN WRITING.



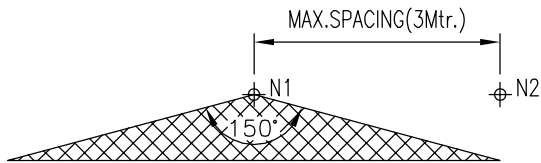
**MATERIAL OF CONSTRUCTION**

SR.NO.	DESCRIPTION	MATERIAL
1	NOZZLE	STAINLESS STEEL (SS:316)
2	FINISH	NATURAL

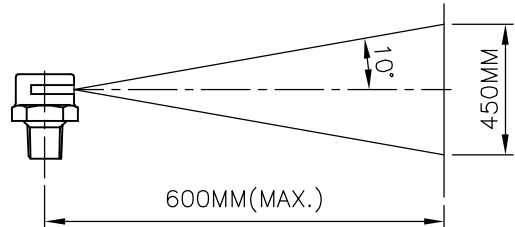
**TECHNICAL DETAILS**

1.ITEM CODE - TC2-S6
2.WORKING PRESSURE - 1.4 - 3.5 BAR
3.MAXIMUM PRESSURE - 12 BAR
4.SIZE - 20NB
5.END CONNECTION - BSPT(STD)/NPT(OPTIONAL)
6.K-FACTOR - 80,100,120,140

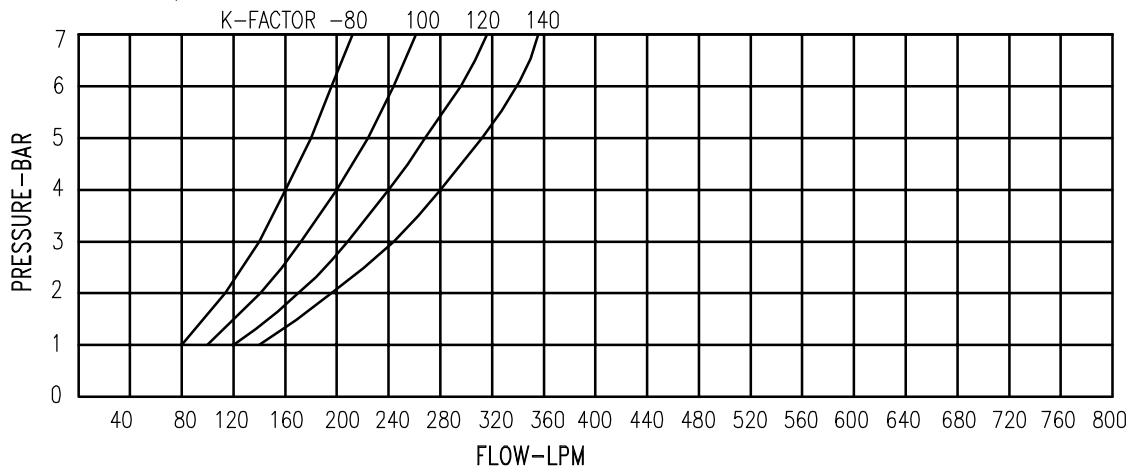
**INSTALLATION DETAILS:**



**SPRAY PATTERN DETAILS**



**PRESSURE/FLOW GRAPH**



TANK COOLING NOZZLE-STAINLESS STEEL (SS:316)

DRG.NO.

R

705-MKT-B3-S6

0